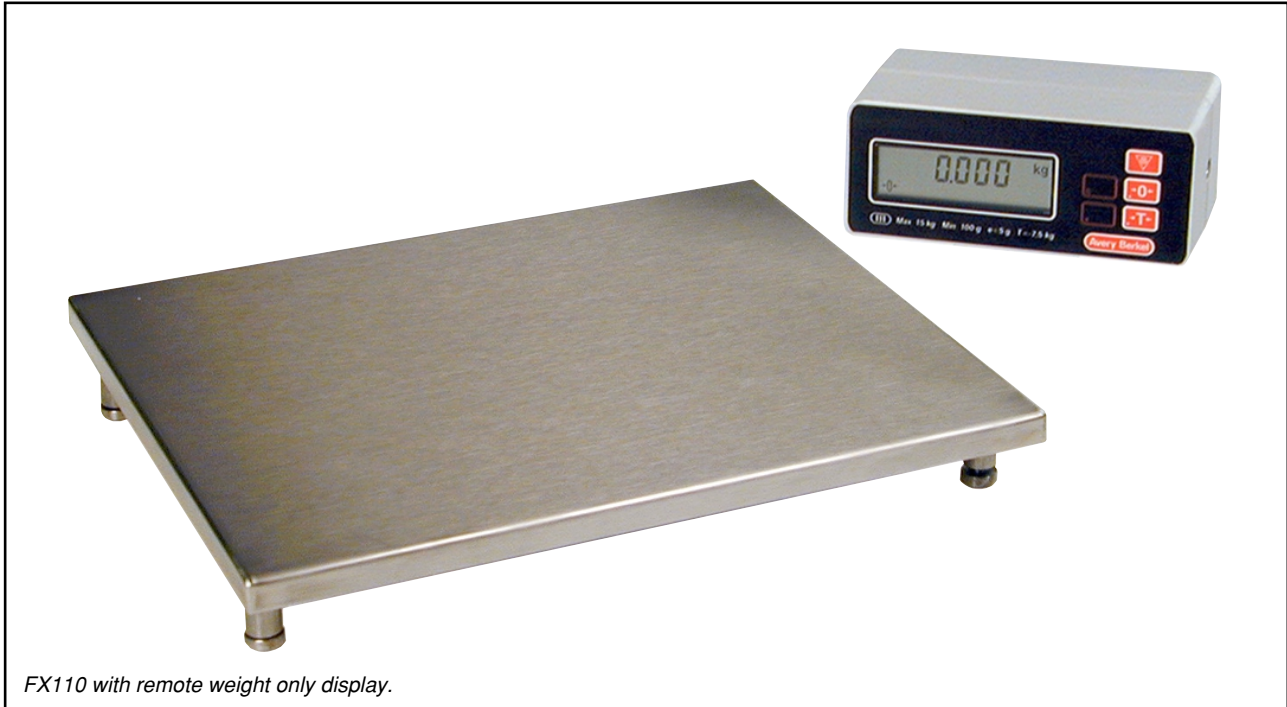


FX110/FX115

modular retail scales



FX110 with remote weight only display.

Description

General

Modular free standing weight only or price computing retail scale. Interfaces to suitable printers for pre-packing operations and ECR/EPoS for use in checkout applications.

The display options being:

Remote weight only or price computing.

Remote column mounted weight only or price computing.

Digital indication of weight, unit price (price computing only) and total price (price computing only).

Price computing versions may be specified with or without a numeric price entry keyboard.

Fully automatic zero correction.

Wide range of tare operations including retained and semi-self-cancelling.

Fully protected to meet compliance requirements for Electro-Magnetic Interference and emissions.

Quick and simple pluggable interconnection of remote display units.

Feet are fully adjustable from the side or above to allow the scale to be levelled in-situ.

Calibration can be performed without removing the scale from its installation.

Flash memory technology allows for quick and simple updates for future-proofing of product functionality.

Wide range of power supply options that include powering the scale via the serial data connection from the EPoS/ECR (where this is supported by the EPoS/ECR).

Specification

Capacities

Capacities	Tare Capacity (Maximum)
6 kg x 2 g	3 kg
15 kg x 5 g	7.5 kg
30 lb x 0.01 lb	15 lb
15 kg x 5 g/30 lb x 0.0 1lb	7.5 kg/15 lb

Note: dual capacity may not be supported by some interface protocols, please check before placing order.

Tares

(Dependent on market) semi-self cancelling, retained, graduated, proportional, stored. Accumulative or non-accumulative.

Entry is either semi-automatic or via the keyboard.

Displays

Weight only versions show six seven-segment digits with sign and may be specified as non-backlit LCD or high intensity green LED.

LCD displays carry icons for net, zero, battery operation/battery low, kg, lb

LED displays have annunciators for net, zero and battery operation/battery low.

Price computing versions have weight display of up to five digits plus minus sign for negative tare indication, unit price display of up to seven digits and total price display of up to eight digits with decimal point or comma separators appropriate to the destination market.

Icons are available for zero, battery operation/battery low, annunciators are available for net, tare, hold (fix/save), price base, capacity type, item count and total (selection of annunciators is dependent on market configuration).

Price computing displays may be specified as either backlit or non-backlit.

Controls

Keyboard controls are located on the display housing, available functions are market dependent.

Weight only: Zero, Test, Tare (optional).

Price Computing: Zero, Test, Tare, Hold (Fix / Save), Clear, Price Base, Numeric 0 – 9.

Fittings

Stainless steel plate 285 mm x 345 mm (no recess).

Display Options

(These must be specified at the time of ordering).

1. Remote Weight Only

Single-sided or optional double-sided with 5 m (optional 1 m, 3 m) cable. A maximum of four single-sided LCD (or two single sided LED) or two double-sided LCD (or one double sided LED) displays may be connected together providing 5 m of cable is not exceeded.

2. Remote Column Mounted Weight Only

One single-sided or double-sided display housing may be mounted on a column (320 mm standard) attached to the counter surface and connected to the scale with 5 m (optional 1 m, 3 m) cable.

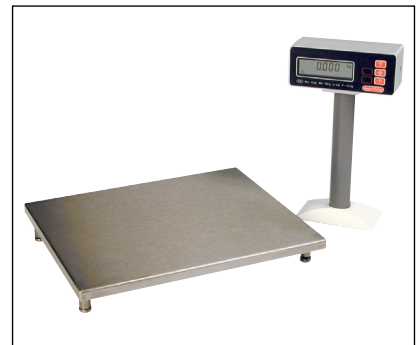
A maximum of four single-sided LCD (or two single sided LED) or two double-sided LCD (or one double sided LED) displays may be connected together providing 5 m of cable is not exceeded.

3. Remote Price Computing

Single-sided or optional double-sided with integral price computing keyboard, connected to the scale by 5 m (optional 1 m, 3 m) cable. A maximum of four single-sided or two double-sided displays may be connected together providing 5 m of cable is not exceeded.

4. Remote column mounted Price Computing

One single-sided or double-sided display housing may be mounted on a column (320 mm standard) attached to the counter surface using the bracket provided and connected to the scale with 5 m (optional 1 m, 3 m) cable. A maximum of four single-sided or two double-sided displays may be connected together providing 5 m of cable is not exceeded.



FX110 with remote column mounted weight only display



FX115 with remote column mounted price computing display.

Electrical

Mains, or DC supply from EPoS/ECR

Mains

A.C. plug top mains adaptor with 2 m cable suitable for destination market.

120 V ($\pm 10\%$) at 50 Hz or 60 Hz.

230 V ($\pm 10\%$) at 50 Hz or 60 Hz.

In-line A.C adaptor with 2 m cable, class III two pin IEC connector and mains plug to suit destination market.

100 V – 240 V at 47 Hz to 63 Hz.

Approximate consumption 0.5 VA (standard LCD), 2.0 VA (single backlit), 7.0 VA (four backlit price computing) @ 12 V D.C., depending on final configuration.

DC supply from EPoS/ECR 6 - 12 V DC via the serial data channel connection to the EPoS/ECR (where this is supported by the EPoS/ECR RS232 connector).

A high power adaptor must be ordered with the rechargeable battery pack when it is used with a FX110 that is **non-backlit**. If the scale displays are backlit or LED a high power adaptor is supplied as standard.

For configurations having the maximum number of LED or backlit LCD the in-line power supply must be specified at the time of ordering.

Environment

Operating Temperature Range
-10 C° to + 40° C.

Storage Temperature Range
-20 C° to + 50° C.

Operating Humidity
0 to 95% RH (non-condensing).

Storage Humidity
0 to 98% RH (non-condensing).

Approvals

Fully approved in all EU countries (UK2625).

Finish

Housings

Built-in version: Steel with bright zinc anti-corrosion coating.

Counter top version: Steel with white anti-corrosion coating.

Column

Grey, UPVC.

Fitting

Brushed stainless steel.

Options

1. Remote Column
2. Price Computing or Weight Only
3. Backlight for Price Computing Display
4. LED Weight Only Display
5. Weight Only Keyboard without Tare Key
6. Price Computing Keyboard with Numeric Keys

Interfaces

A range of interface pcb are available to allow connection of approved EPoS/ECR devices to the FX110/FX115.

The specific interface must be specified at the time of ordering and may be dependent upon local Weights and Measures requirements.

RS232

A full duplex bi-directional interface suitable for connection to ECR/EPoS also having RS232. Weight and price data (where applicable) are transferred from the scale to the EPoS/ECR and conforms to Weights and Measures criteria. The scale connection is a 9-way female D shell.

RS485/RS422

Full duplex RS422 or half duplex RS485 interface. Scale connection is RJ12.

Protocols

A range of protocols are available that may be selected through management mode, these include:

Avery Berkel Weight only (RS232 interface).

Avery Berkel Price Computing (RS232 interface).

OPOS Weight Only (RS232 interface).

OPOS Price Computing (RS232 interface).

Dialog 02/04/06 (RS232 interface).

BES (RS232 interface).

SMA (RS232 interface) (USA only).

Note that the use of a particular protocol maybe dependent on local Weights and Measures requirements and should be checked before placing an order.

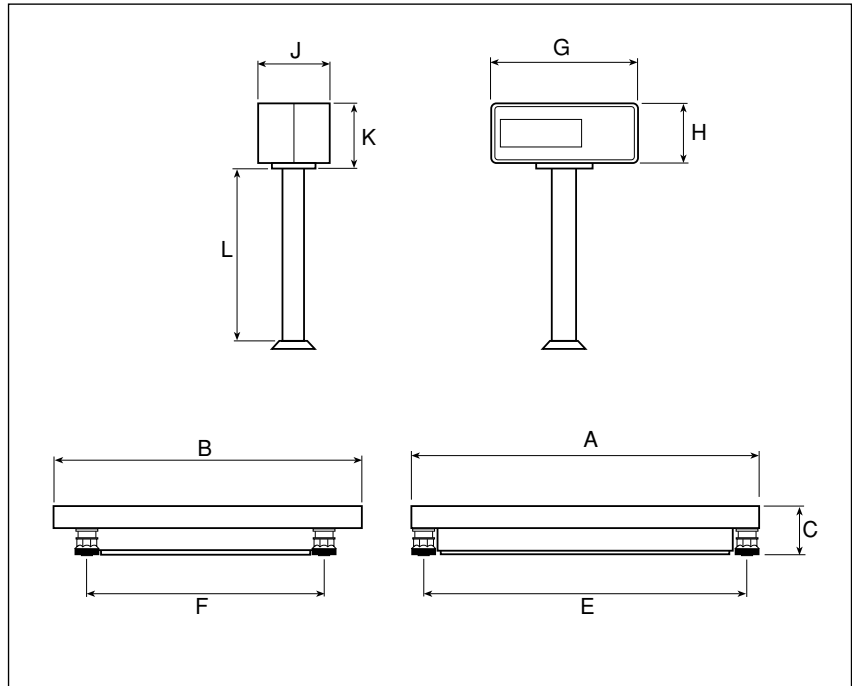
Dimensions

With Column Mounted Weight Only Display

- A = 345 mm
- B = 285 mm
- C = 50 mm
- E = 316 mm
- F = 220 mm
- G = 152 mm
- H = 60 mm
- J = 59 mm
- K = 63 mm
- L = 320 mm

With Column Mounted Price Computing Display

- A = 345 mm
- B = 285 mm
- C = 50 mm
- E = 250 mm
- F = 220 mm
- G = 263 mm
- J = 60 mm
- K = 127 mm
- L = 320 mm



With Column Mounted Weight Only Display

Weight

7.8 kg (weight only).

8.0 kg (price computing).

Shipping Specification

Net

7.8 kg.

Gross

9.1 kg.

Dimensions

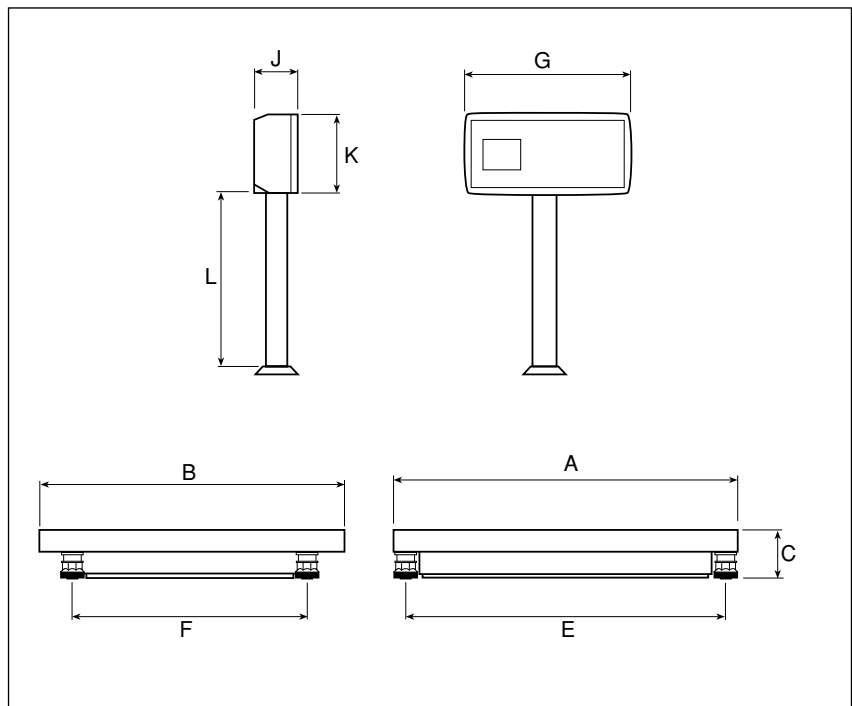
415 mm x 365 mm x 210 mm.

Number of Packages

One.

Harmonised Commodity Code

Retail scales up to 30 kg capacity:
84238101.



With Column Mounted Price Computing Display

© Avery Berkel Limited 2002. All rights reserved. This publication is issued to provide outline information only which, unless agreed by Avery Berkel Limited in writing, may not be regarded as a representation relating to the products or services concerned. Avery Berkel Limited reserves the right to alter without notice the specification, design, price or conditions of supply of any product or service.

Your local distributor:



E mail: info@averyberkel.com
Internet: http://www.averyberkel.com

Foundry Lane, Smethwick,
West Midlands, England B66 2LP.
Tel: +44 (0)870 90 34343 Fax: +44 (0)121-224 8183